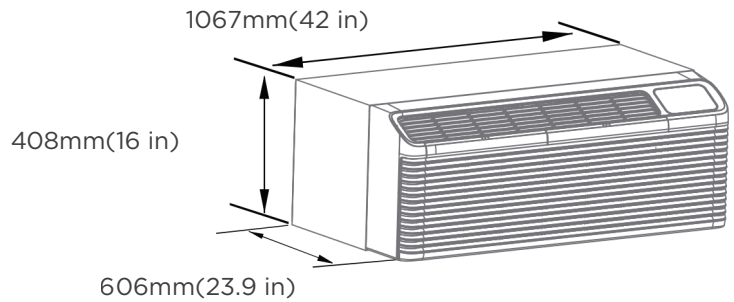
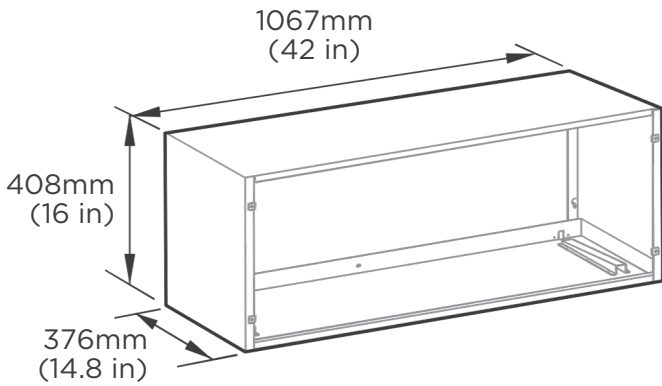


Job Name: _____
Location: _____
Engineer: _____
Submitted to: _____
Submitted by: _____
Reference: _____

Date: _____
Approval: _____
Construction: _____
Unit #: _____
Drawing #: _____

Wall sleeve



Installation

Step 1: Attach sponge A to the wall sleeve.

- If using the old wall sleeve, the sponge on the wall sleeve needs to be replaced. First, remove the old sponge from the sleeve, then attach sponge A from the accessories. (See Fig. 1.)
- If using the new wall sleeve, simply attach sponge A. (See Fig. 1.)

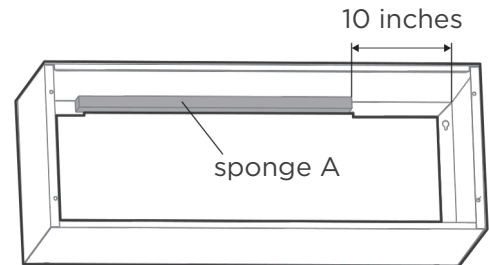


Fig. 1

Step 2: Attach the wall sleeve (if any).

- Refer to the installation instruction of sleeve assembly for details. To avoid vibration and noise, make sure the wall sleeve is installed securely and firmly. (See Fig. 2.)

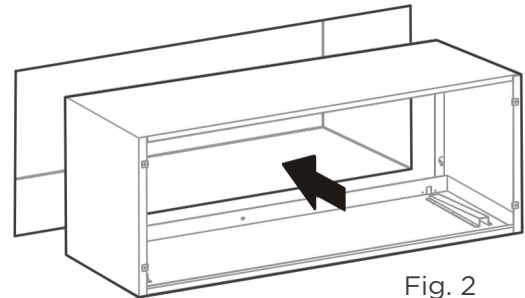


Fig. 2

Confirmation of installation position :

