

Job Name: _____

Location: _____

Engineer: _____

Submitted to: _____

Submitted by: _____

Reference: _____

Date: _____

Approval: _____

Construction: _____

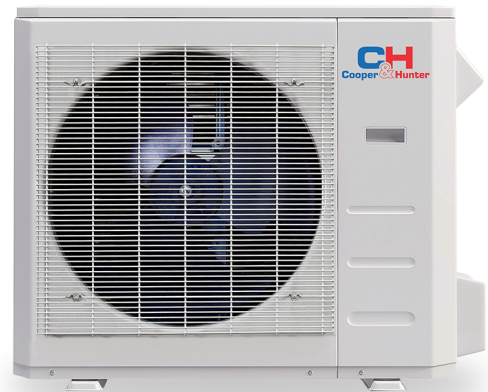
Unit #: _____

Drawing #: _____

KEY FEATURES:

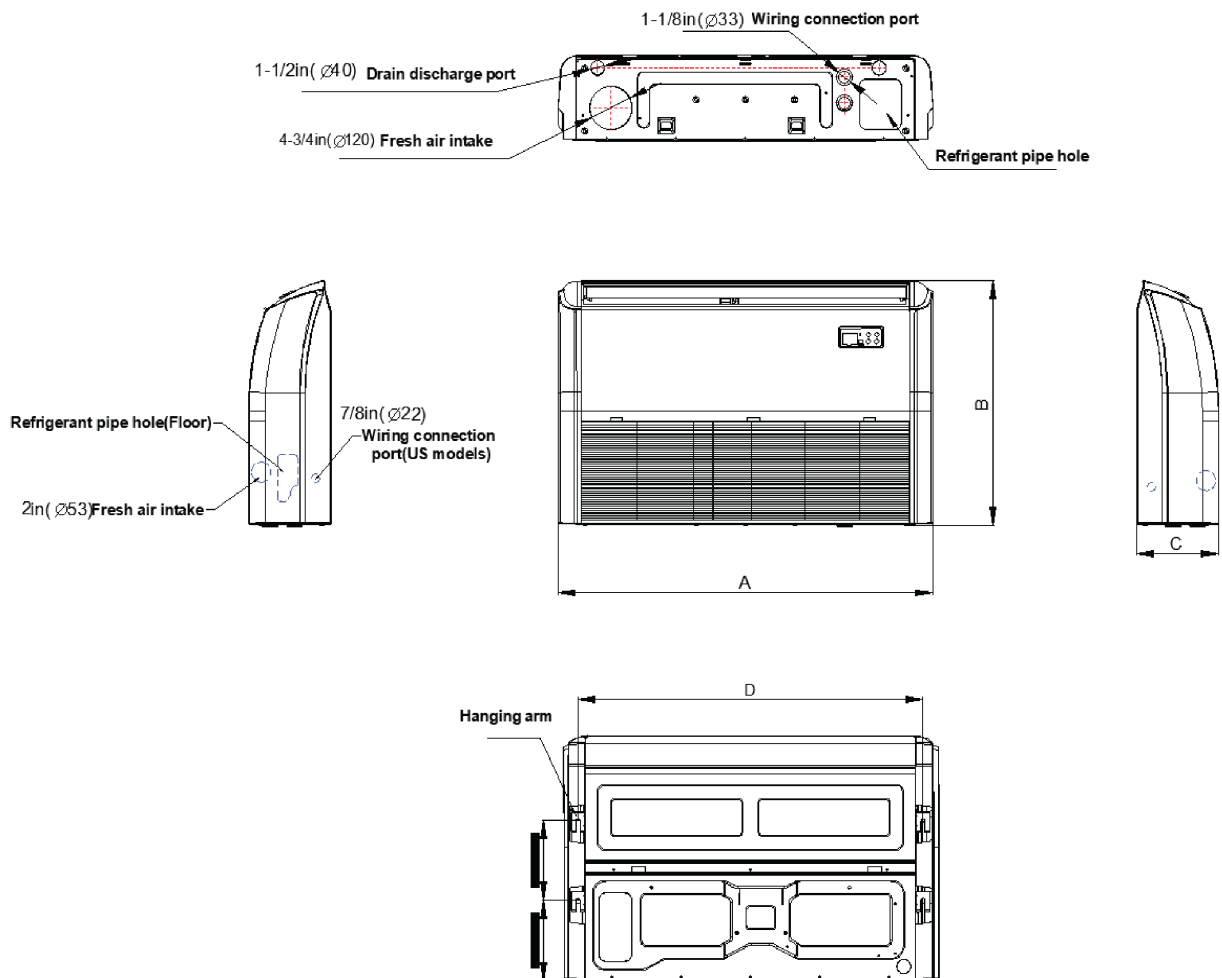
- Refrigerant Sensor
- Humidity Sensor
- GoldFin Anti-Corrosive Coating
- Multiple Fan Speeds
- Easy service
- TU1 Cooper Coil
- Can be applied horizontally from the ceiling or vertically on a wall
- Inverter technology

NOTES:



Indoor Model			CH-RSH24MFC
Power supply		V, Ph, Hz	208-230V, 1Ph, 60Hz
Communication wiring			AWG 14-4
Cooling	Capacity	Btu/h	24,000 (11,100~29,000)
	Input	w	1,967 (820~2,610)
	Rated current	A	8.6 (3.6~11.5)
	EER/EER2	Btu/w	
	SEER/SEER2	Btu/w	
Heating at 47 °F	Capacity	Btu/h	24,400 (11,800~32,600)
	Input	W	2,385 (675~2,990)
	Rated current	A	10.4 (3.7~13.1)
	COP	W/W	2.99
	HSPF4/HSPF2-4		11.1
	HSPF5/HSPF2-5		8.4
Indoor fan motor		Qty	1
		Input	90
		RLA	1
Indoor air flow (Turbo/Hi/Med/Lo) (No duct)		CFM	735.8 / 706.3 / 606.3 / 453.2
ESP (range)		ln.wg.	/
Indoor noise level (Hi/Med/Lo)		dB(A)	49/45/34
Dehumidification		L/H	6.49
Indoor unit	Dimensions (WxDxH)	inch	42.05 x 26.57 x 9.25
	Packing (WxDxH)	inch	45.08 x 29.72 x 12.52
	Net/Gross weight	lbs	61.29/73.19
Drainage water pipe diameter		inch	1"
Refrigerant piping (Liquid side/Gas side)		inch	3/8"/5/8"
Design pressure		PSIG	550/340
Controller			remote controller
Room temperature	Cooling	F	60~90
	Heating	F	32~86

Outdoor Model			CH-RES24-230VO
Power supply		V, Ph, Hz	208-230V, 1Ph, 60Hz
Min. circuit ampacity		A	24
Max. fuse		A	25
Compressor	Model		KTM240D46UKT2
	Type		ROTARY
	Brand		GMCC
	Capacity	Btu/h	25.93
	Input	w	2.045
	Rated current (RLA)	A	15.4
	Refrigerant oil	oz	VG74 21
Outdoor fan motor	Qty		1
	Input	w	120
	RLA	A	1
	Speed	r/min	810/700/450
Outdoor air flow (Max)		CFM	2,236.7
Outdoor noise level (Max)		dB(A)	59
Throttle type			EXV+Throttle valve
Outdoor unit	Dimensions (WxDxH)	inch	37.24 x 16.14 x 31.89
	Packing (WxDxH)	inch	42.91 x 19.68 x 34.84
	Net/Gross weight	inch	122.13/132.28
Refrigerant	Type		R454B
	Precharge	ft	25
Additional charge for 1/4 inch liquid pipe		oz	/
Additional charge for 3/8 inch liquid pipe		oz	0.32
Refrigerant piping	Liquid side/Gas side	inch	3/8"/5/8"
	Max. pipe length	ft	164
	Max. difference in level	ft	82
Ambient temperature	Cooling	F	-13 ~ 122
	Heating	F	-13~75



Model	A	B	C	D
18K/24K	42in(1068mm)	26-1/2in(675mm)	9-1/4in(235mm)	38-3/4in(983mm)
36K/48K/60K	65in(1650mm)	26-1/2in(675mm)	9-1/4in(235mm)	61-5/8in(1565mm)

