

Job Name: _____

Location: _____

Engineer: _____

Submitted to: _____

Submitted by: _____

Reference: _____

Date: _____

Approval: _____

Construction: _____

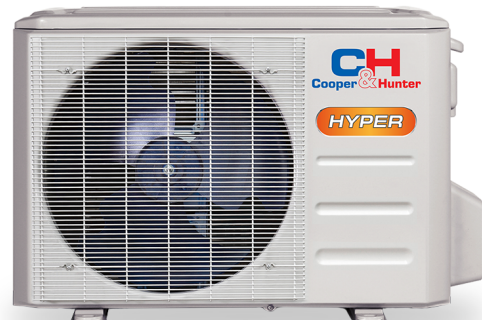
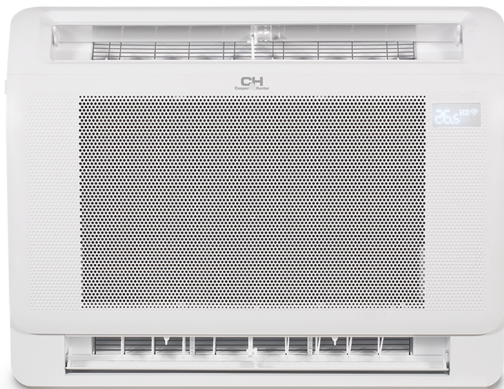
Unit #: _____

Drawing #: _____

KEY FEATURES:

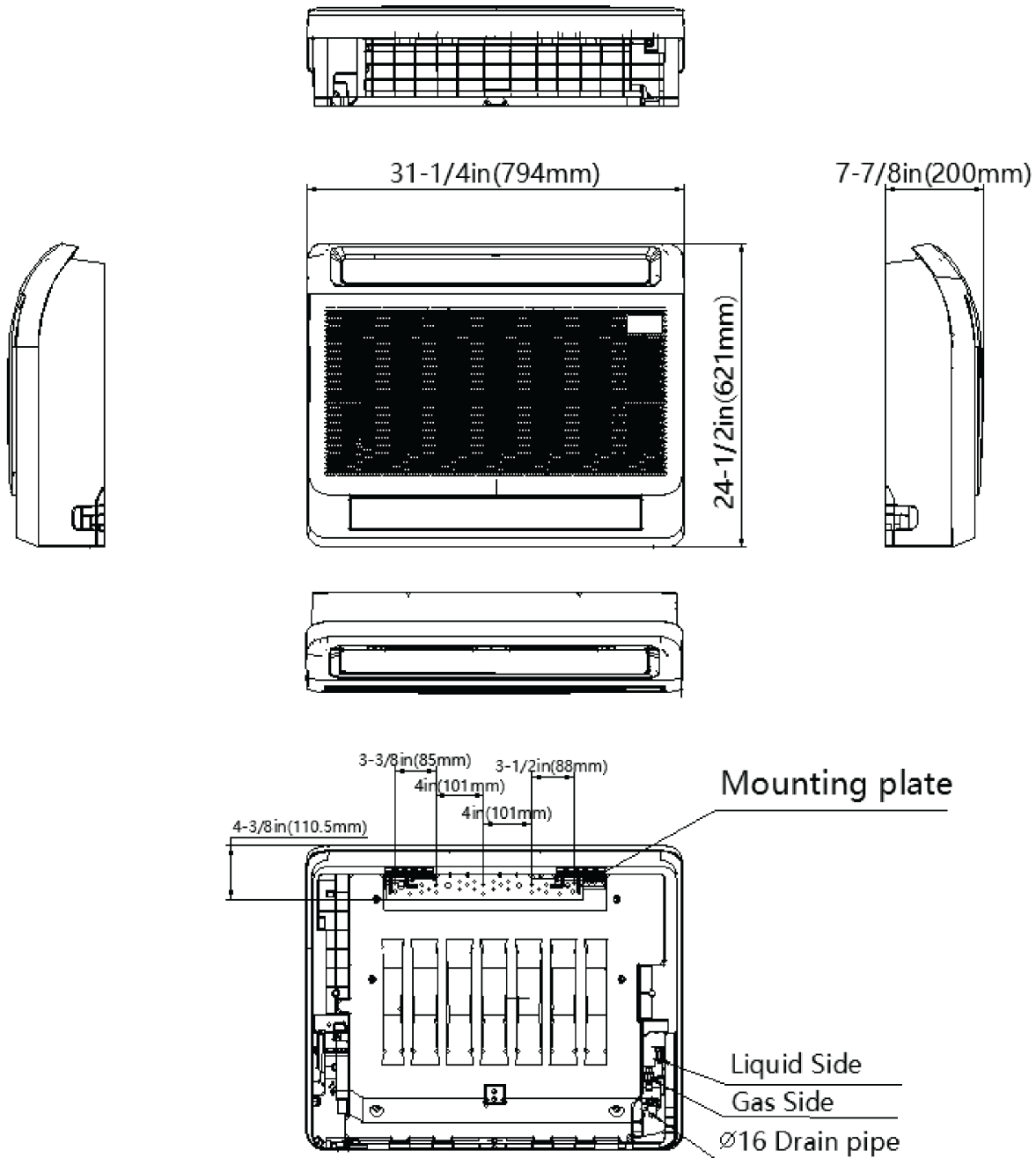
- Double blower wheel
- Refrigerant Sensor
- Auto-Swing for horizontal louvers
- Genius Core ultra-low compressor speed of 12Hz • 46° Freeze Protection
- Smart Kit Ready
- Turbo Mode
- Follow Me Mode
- Smart kit Included

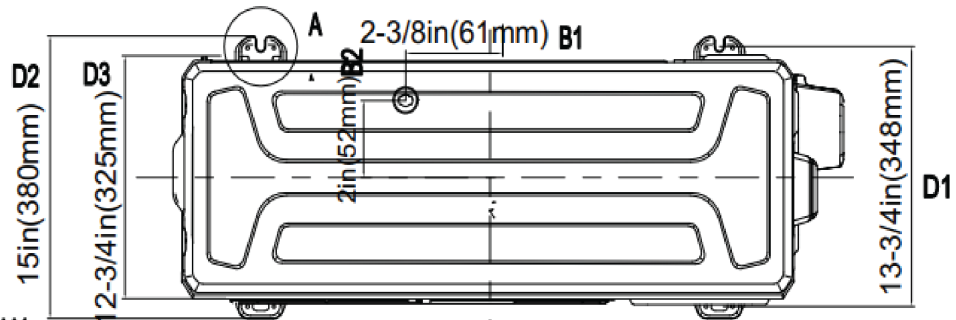
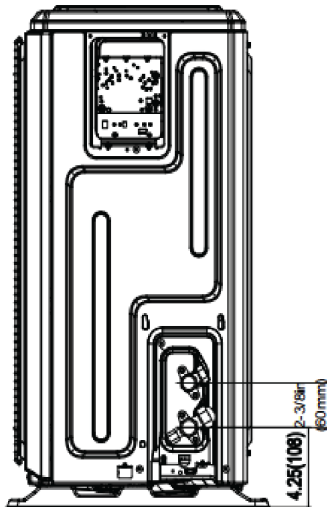
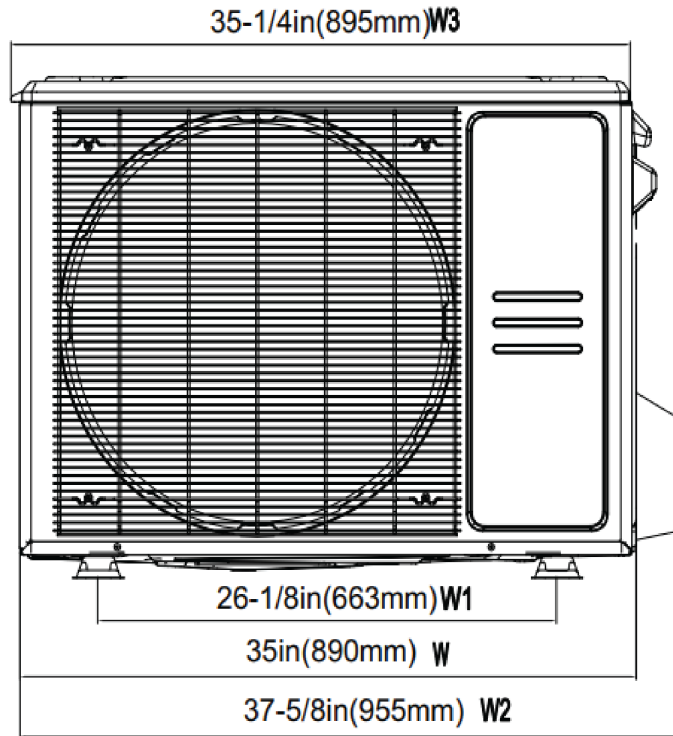
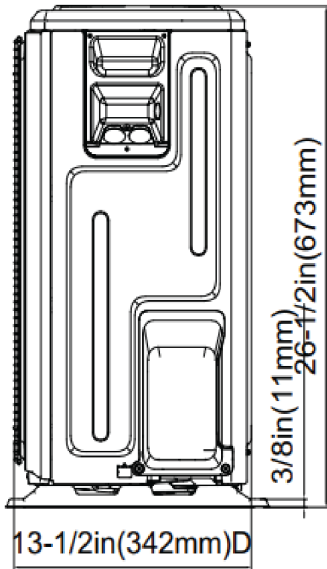
NOTES:



Indoor Model			CH-RSH16MMC
Power supply		V, Ph, Hz	208-230V, 1Ph, 60Hz
Communication wiring			AWG 14-4
Cooling	Capacity	Btu/h	16,000 (6,500~17,200)
	Input	W	1,280 (620~1,600)
	Rated current	A	8 (2.8~7)
	EER/EER2	Btu/w	
	SEER/SEER2	Btu/w	
Heating at 47 °F	Capacity	Btu/h	17,000 (6,500~20,000)
	Input	W	1,750 (460~1,880)
	Rated current	A	8 (3.1~11.6)
	COP	W/W	2.85
	HSPF4/HSPF2-4		10.3
	HSPF5/HSPF2-5		8.7
Indoor fan motor		Qty	2
		Input (W)	13
		RLA (A)	1
Indoor air flow (Turbo/Hi/Med/Lo) (No duct)		CFM	500.3 / 441.4 / 382.6 / 323.7
ESP (range)		In.wg.	/
Indoor noise level (Hi/Med/Lo)		dB(A)	43.5/40.5/30.5
Dehumidification		Pnt/H	4.61
Indoor unit	Dimensions (WxDxH)	inch	31.26 x 7.87 x 24.45
	Packing (WxDxH)	inch	34.06 x 11.02 x 28.31
	Net/Gross weight	lbs	32.85/41.89
Drainage water pipe diameter		inch	5/8"
Refrigerant piping (Liquid side/Gas side)		inch	1/4"/1/2"
Design pressure		PSIG	550/340
Controller			remote controller
Room temperature	Cooling	F	60~90
	Heating	F	32~86

Outdoor Model		CH-RHP18-230VO	
Power supply	V, Ph, Hz	208-230V, 1Ph, 60Hz	
Min. circuit ampacity	A	19	
Max. fuse	A	20	
Compressor	Model	KTM240D46UKT2	
	Type	ROTARY	
	Brand	GMCC	
	Capacity	Btu/h	25.93
	Input	W	2.045
	Rated current (RLA)	A	11.7
	Refrigerant oil	oz	VG74 21
Outdoor fan motor	Qty	1	
	Input	W	80
	RLA	A	0.9
	Speed	r/min	780/700/550
Outdoor air flow (Max)	CFM	1,765.8	
Outdoor noise level (Max)	dB(A)	59	
Throttle type	EXV+Throttle valve		
Outdoor unit	Dimensions (WxDxH)	inch	35.04 x 13.46 x 26.50
	Packing (WxDxH)	inch	39.17 x 15.67 x 29.13
	Net/Gross weight	lbs	99.87/107.80
Refrigerant	Type	R454B	
	Precharge	ft	25
Additional charge for 1/4 inch liquid pipe	oz	0.16	
Additional charge for 3/8 inch liquid pipe	oz		
Refrigerant piping	Liquid side/Gas side	inch	1/4"/1/2"
	Max. pipe length	ft	98.4
	Max. difference in level	ft	65.6
Ambient temperature	Cooling	F	-22 ~ 122
	Heating	F	-22~75





DETAIL A
SCALE 1:1

