

Job Name: _____

Location: _____

Engineer: _____

Submitted to: _____

Submitted by: _____

Reference: _____

Date: _____

Approval: _____

Construction: _____

Unit #: _____

Drawing #: _____

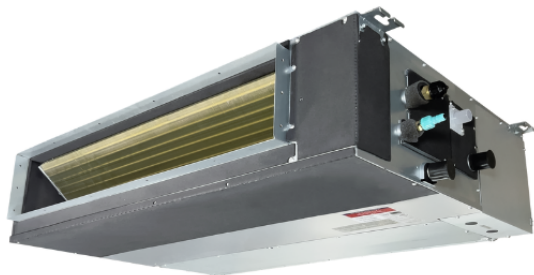
KEY FEATURES:

- Flexible Installation
- Compatible with Regular or Hyper Heat Pump
- SmartPort Ready
- Wall Thermostat Included
- Remote Control Included

NOTES:



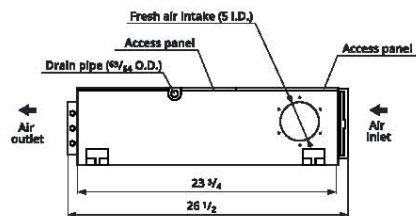
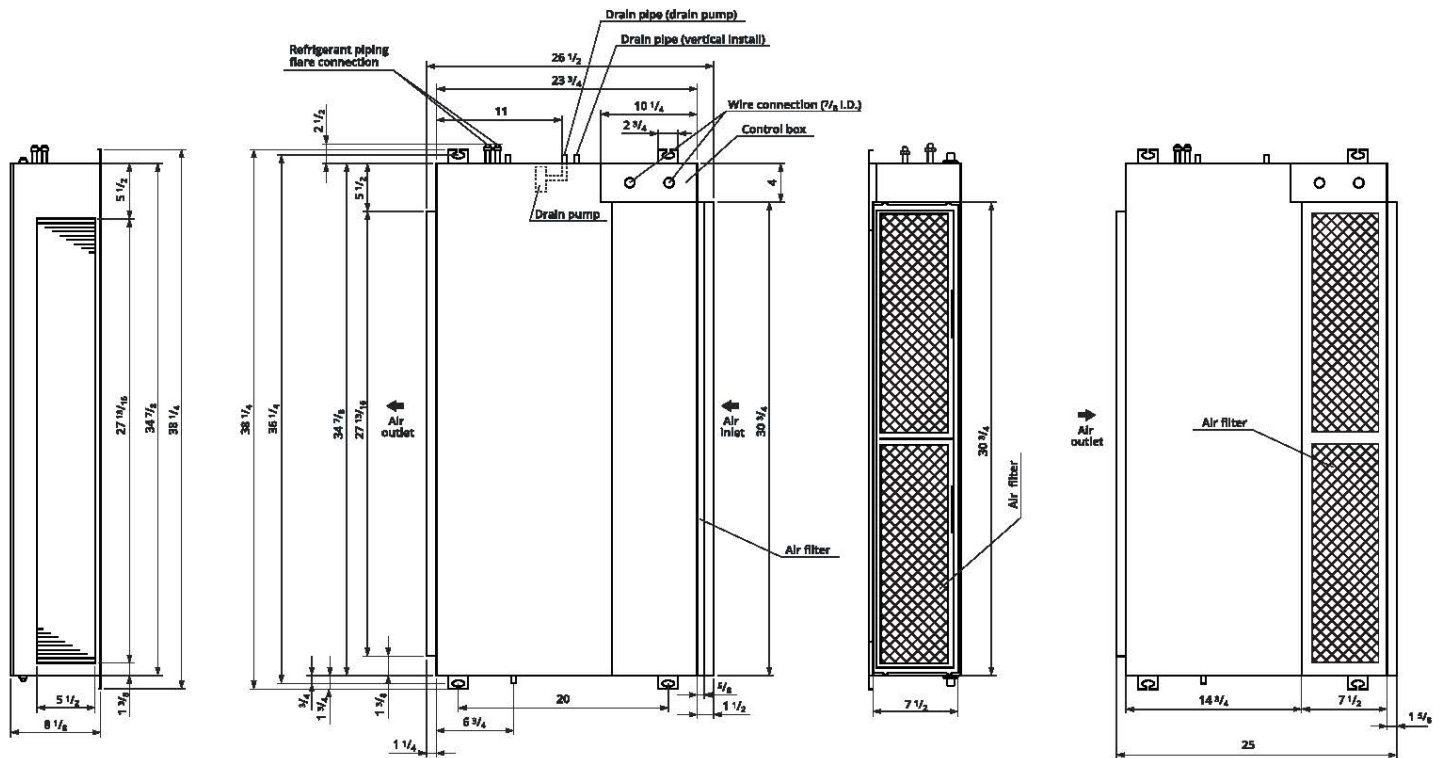
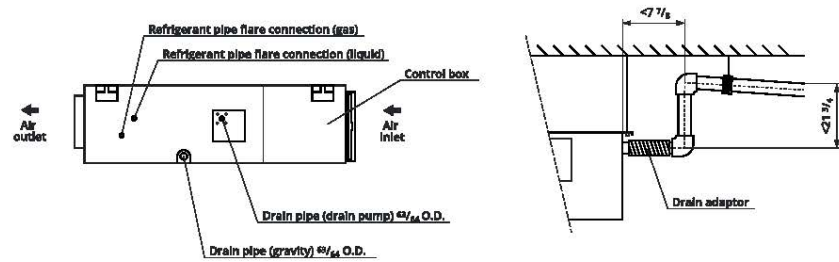
Slim Duct



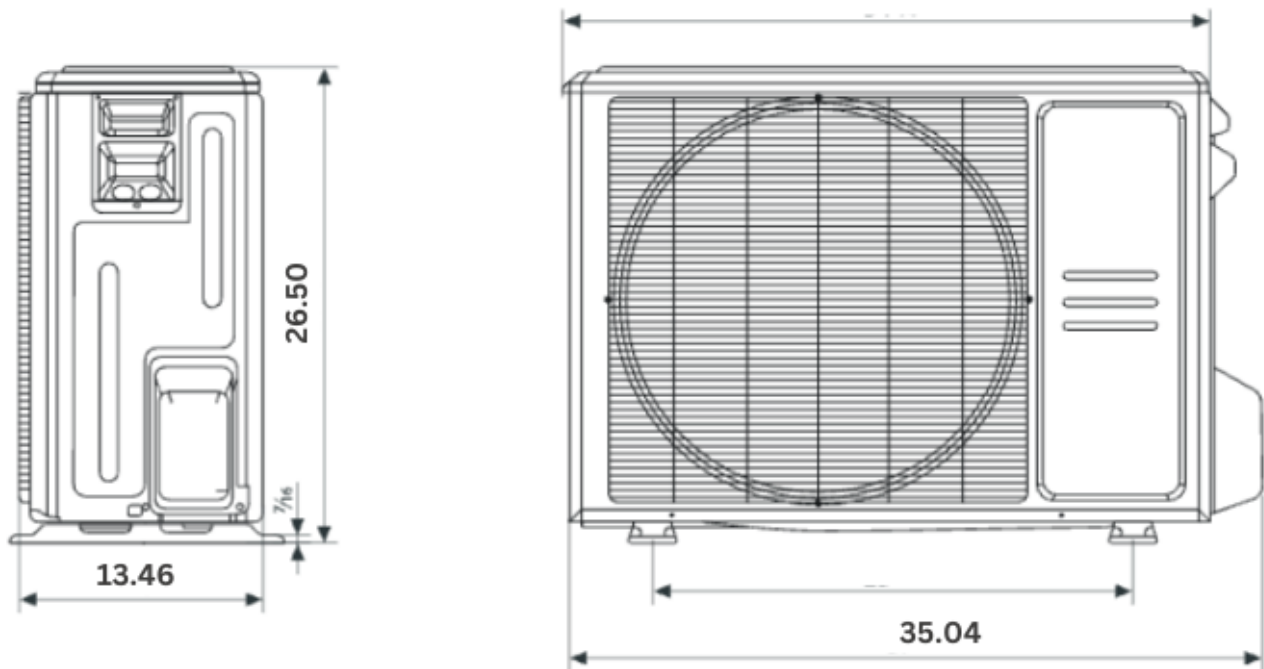
Indoor Model			CH-18MDT-W
Power supply		V, Ph, Hz	208-230V, 1Ph, 60Hz
Communication wiring			14AWG*4
Cooling	Capacity	Btu/h	17,000(5,800~18,000)
	Input	w	1,360(240~1,455)
	Rated current	A	6.17(1.80~6.17)
	EER/EER2	Btu/w	12.5
	SEER/SEER2	Btu/w	20
Heating at 47 °F	Capacity	Btu/h	20,000(5,000~20,000)
	Input	W	1,880(300~1,880)
	Rated current	A	7.90(2.20~7.90)
	COP	W/W	3.12
	HSPF4/HSPF2-4		10.6
	HSPF5/HSPF2-5		8.2
Indoor fan motor		Qty	1
		Input	90
		RLA	1.2
Indoor air flow (Turbo/Hi/Med/Lo) (No duct)		CFM	529.41/529.41/450.00/370.59
ESP (range)		In.wg.	0-0.4
Indoor noise level (Hi/Med/Lo)		dB(A)	42/38/35.5
Dehumidification		L/H	3.38
Indoor unit	Dimensions (WxDxH)	inch	34.65x26.54x8.27
	Packing (WxDxH)	inch	42.13x28.54x11.02
	Net/Gross weight	lbs	55.34/67.02
Drainage water pipe diameter		inch	1"
Refrigerant piping (Liquid side/Gas side)		inch	1/4"/1/2"
Design pressure		PSIG	550/340
Controller			RG10K-exclusive remote&120X or 120N wire controller
Room temperature	Cooling	F	62~90
	Heating	F	32~86

Outdoor Model			CH-ES18-230VO
Power supply		V, Ph, Hz	208-230V, 1Ph, 60Hz
Min. circuit ampacity		A	19
Max. fuse		A	30
Compressor	Model		KSN140D58UFZ
	Type		ROTARY
	Brand		GMCC
	Capacity	Btu/h	14,720
	Input	w	1,090
	Rated current (RLA)	A	12
	Refrigerant oil	oz	VG74 14.9
Outdoor fan motor	Qty		1
	Input	w	88
	RLA	A	0.76
	Speed	r/min	810/720
Outdoor air flow (Max)		CFM	2,058.82
Outdoor noise level (Max)		dB(A)	60
Throttle type			EXV+Throttle valve
Outdoor unit	Dimensions (WxDxH)	inch	35.04x13.46x26.50
	Packing (WxDxH)	inch	39.17x15.67x29.13
	Net/Gross weight	inch	94.36/100.97
Refrigerant	Type		R410A
	Precharge	ft	25
Additional charge for 1/4 inch liquid pipe		oz	0.16
Additional charge for 3/8 inch liquid pipe		oz	
Refrigerant piping	Liquid side/Gas side	inch	1/4"/1/2"
	Max. pipe length	ft	98.42
	Max. difference in level	ft	65.62
Ambient temperature	Cooling	F	-13~122
	Heating	F	-13~75

Unit: inch



CH-ES18-230VO



Dimensions	Width	Depth	Height
Inches	35.04	13.46	26.50