

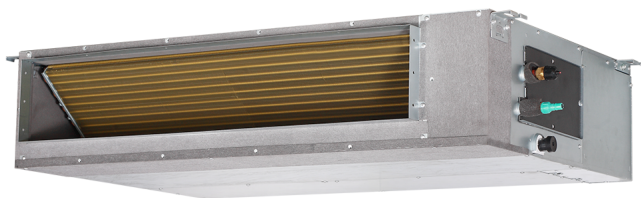
Job Name: _____
Location: _____
Engineer: _____
Submitted to: _____
Submitted by: _____
Reference: _____

Date: _____
Approval: _____
Construction: _____
Unit #: _____
Drawing #: _____

KEY FEATURES:

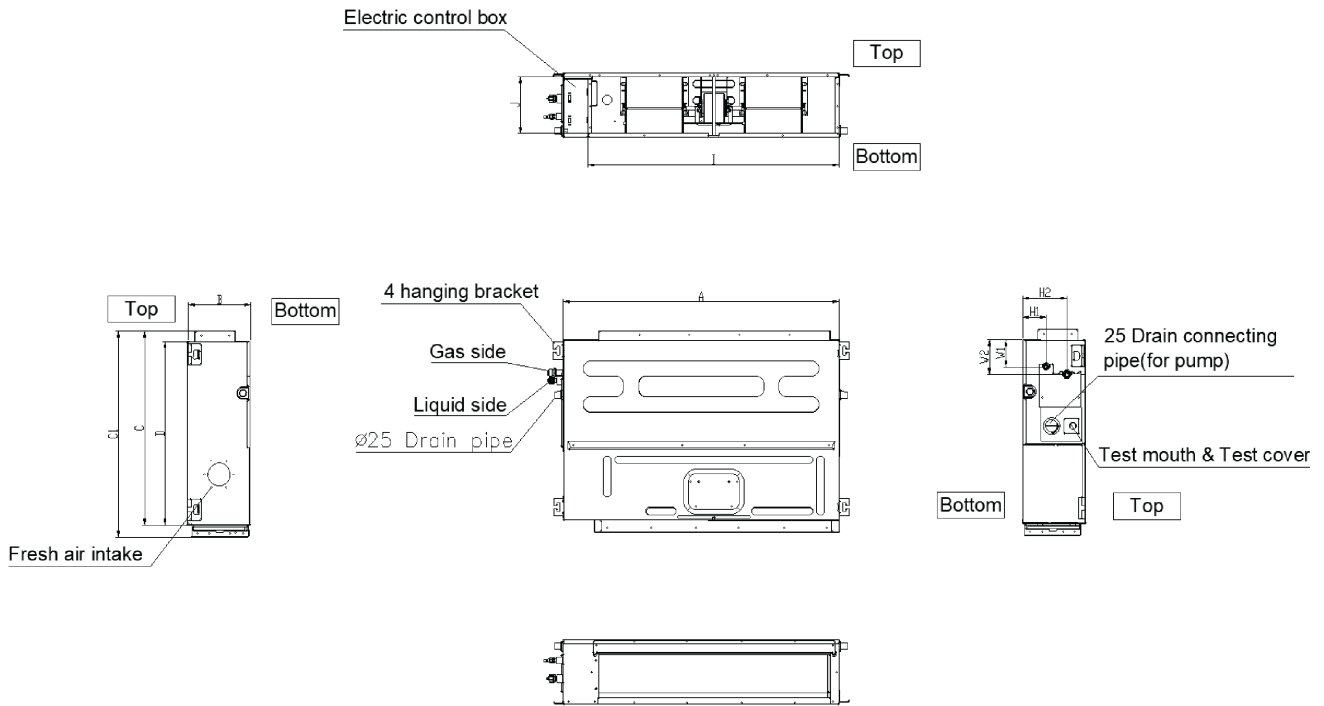
- Flexible Installation
- Compatible with Regular or Hyper Heat Pump
- SmartPort Ready
- Wall Thermostat Included
- Remote Control Included

NOTES:

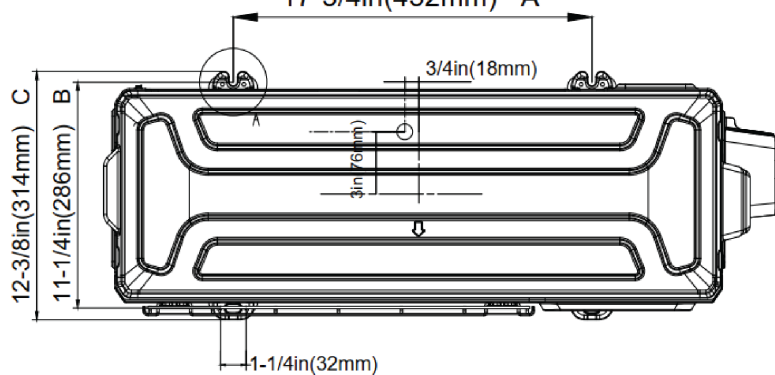
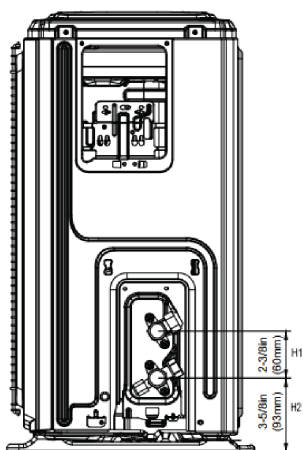
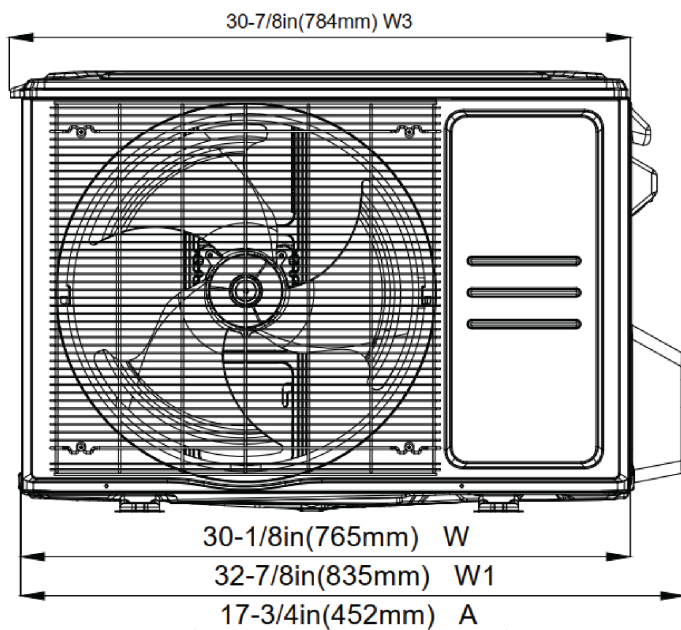
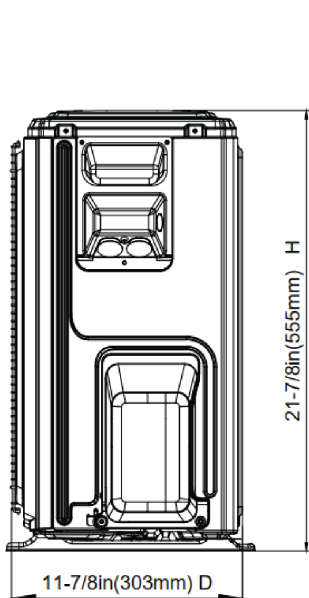


Indoor Model			CH-RS06-12MDT- MS
Power supply		V, Ph, Hz	208-230V, 1Ph, 60Hz
Communication wiring			AWG 14-4
Cooling	Capacity	Btu/h	6,500 (3,300~11,800)
	Input	W	448 (140~980)
	Rated current	A	3.4 (1.2~4.4)
	EER/EER2	Btu/w	14.4
	SEER/SEER2	Btu/w	21.4
Heating at 47 °F	Capacity	Btu/h	8,000 (3,700~13,100)
	Input	W	585 (240~1,050)
	Rated current	A	4.5 (1.8~4.7)
	COP	W/W	4.01
	HSPF4/HSPF2-4		13.8
	HSPF5/HSPF2-5		10.8
Indoor fan motor		Qty	1
		Input (W)	81
		RLA (A)	1.2
Indoor air flow (Turbo/Hi/Med/Lo) (No duct)		CFM	400.2 / 323.7 / 264.9 / 176.6
ESP (range)		In.wg.	0-0.4
Indoor noise level (Hi/Med/Lo)		dB(A)	32.5/30.5/29.5
Dehumidification		Pnt/H	2.85
Indoor unit	Dimensions (WxDxH)	inch	27.56 x 19.92 x 7.87
	Packing (WxDxH)	inch	33.86 x 21.26 x 11.22
	Net/Gross weight	lbs	39.46/46.74
Drainage water pipe diameter		inch	1"
Refrigerant piping (Liquid side/Gas side)		inch	1/4"/3/8"
Design pressure		PSIG	550/340
Controller			wire controller + remote controller available
Room temperature	Cooling	F	60~90
	Heating	F	32~86

Outdoor Model			CH-RHP06F9-230VO
Power supply		V, Ph, Hz	208-230V, 1Ph, 60Hz
Min. circuit ampacity		A	12
Max. fuse		A	15
Compressor	Model		KSK103D33UEZ3
	Type		ROTARY
	Brand		GMCC
	Capacity	Btu/h	11,100
	Input	W	826
	Rated current (RLA)	A	7.3
	Refrigerant oil	oz	VG74 10.5
Outdoor fan motor	Qty		1
	Input	W	34
	RLA	A	0.6
	Speed	r/min	800/700/600
Outdoor air flow (Max)		CFM	1,236.1
Outdoor noise level (Max)		dB(A)	54
Throttle type			EXV
Outdoor unit	Dimensions (WxDxH)	inch	30.12 x 11.93 x 21.85
	Packing (WxDxH)	inch	34.92 x 13.27 x 24.02
	Net/Gross weight	inch	62.17/67.68
Refrigerant	Type		R454B
	Precharge	ft	25
Additional charge for 1/4 inch liquid pipe		oz	0.16
Additional charge for 3/8 inch liquid pipe		oz	
Refrigerant piping	Liquid side/Gas side	inch	1/4"/3/8"
	Max. pipe length	ft	82
	Max. difference in level	ft	32.8
Ambient temperature	Cooling	F	-22 ~ 122
	Heating	F	-22~75



Model(kBtu/h)	unit	A	B	C	C1	D
	6 -12	mm	700	200	470	506
in		27-1/2	7-7/8	18-1/2	20	17-3/4
18	mm	880	210	634	674	600
	in	34-5/8	8-1/4	25	26-1/2	23-5/8



DETAIL A
SCALE 1:2

