

**Job Name:** \_\_\_\_\_  
**Location:** \_\_\_\_\_  
**Engineer:** \_\_\_\_\_  
**Submitted to:** \_\_\_\_\_  
**Submitted by:** \_\_\_\_\_  
**Reference:** \_\_\_\_\_

**Date:** \_\_\_\_\_  
**Approval:** \_\_\_\_\_  
**Construction:** \_\_\_\_\_  
**Unit #:** \_\_\_\_\_  
**Drawing #:** \_\_\_\_\_

**KEY FEATURES:**

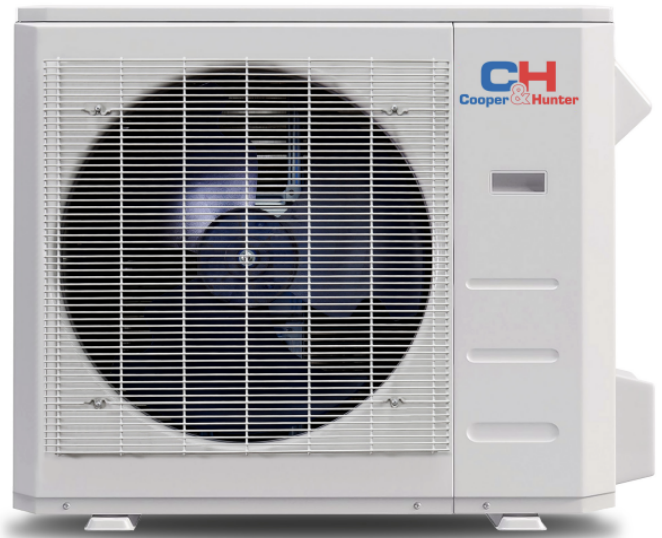
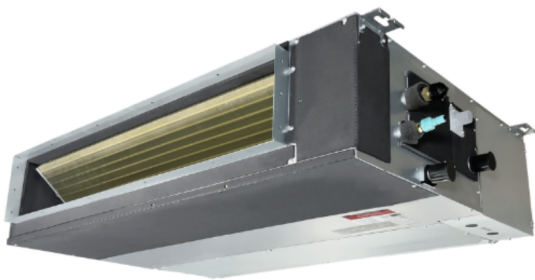
- Flexible Installation
- Compatible with Regular or Hyper Heat Pump
- SmartPort Ready
- Wall Thermostat Included
- Remote Control Included

NOTES:

\_\_\_\_\_  
 \_\_\_\_\_  
 \_\_\_\_\_  
 \_\_\_\_\_  
 \_\_\_\_\_



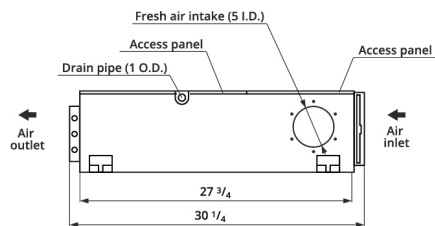
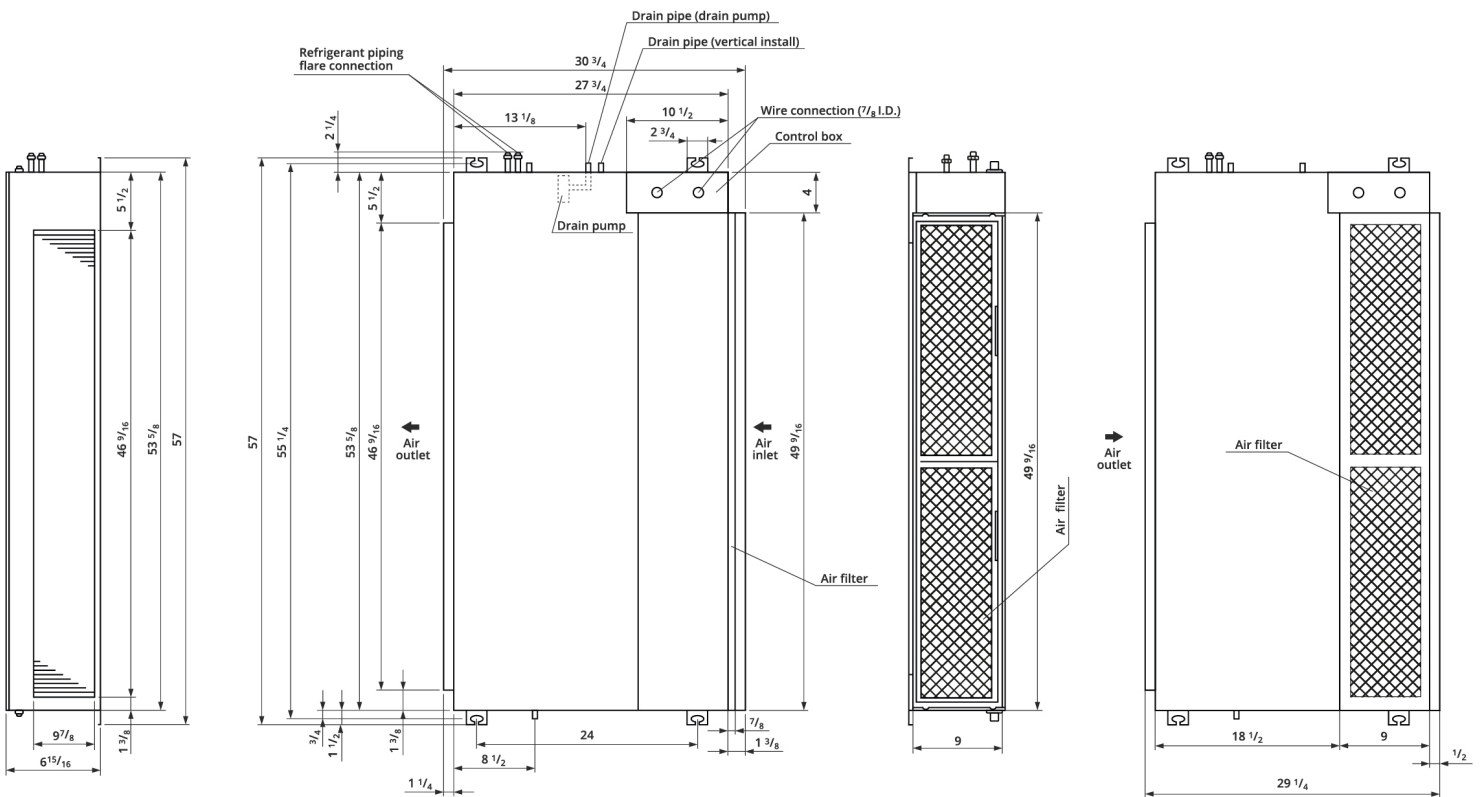
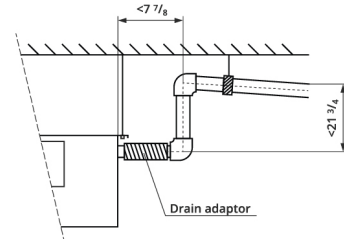
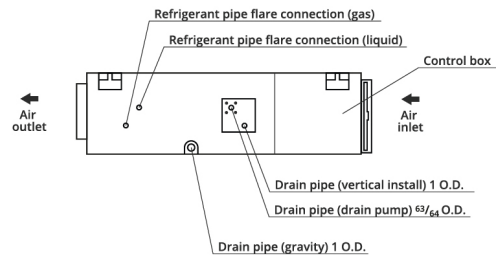
**Slim Duct**

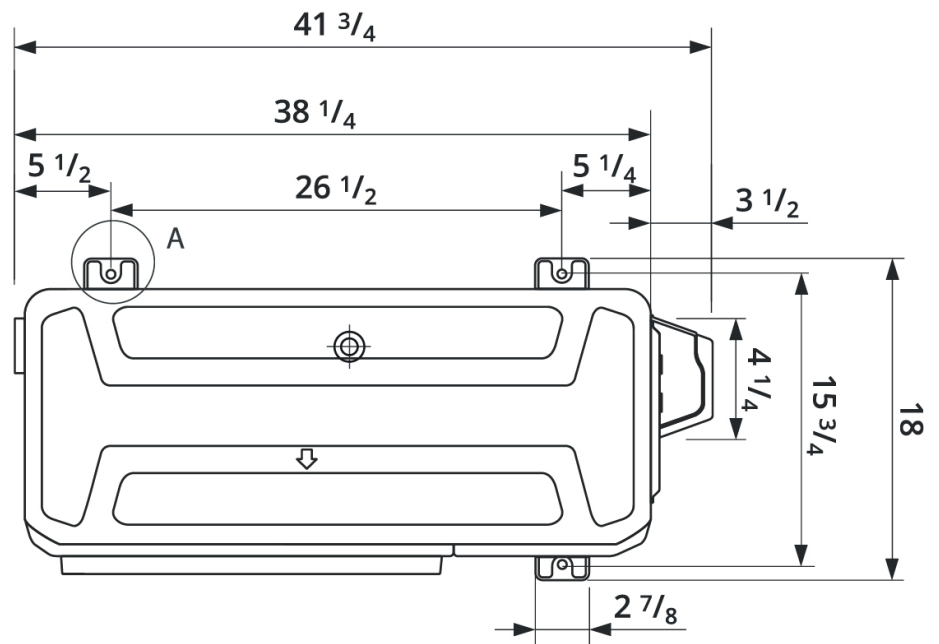
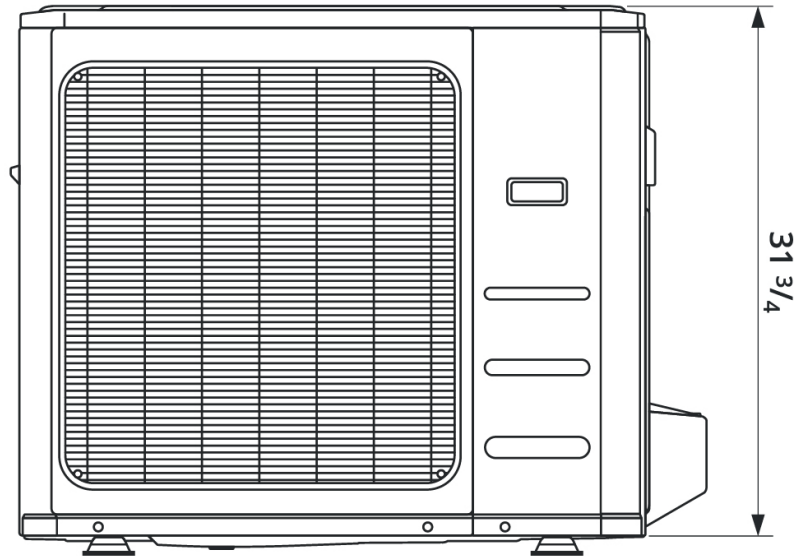
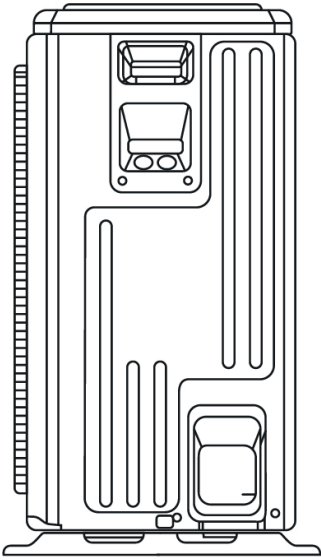


Indoor Model			CH-36LCDTU/I
Power supply		V, Ph, Hz	208-230V, 1Ph, 60Hz
Communication wiring			
Cooling	Capacity	Btu/h	36,000
	Input	w	4,000
	Rated current	A	18.3
	EER/EER2	Btu/w	9
	SEER/SEER2	Btu/w	16.5
Heating at 47 °F	Capacity	Btu/h	40,000
	Input	W	3,478
	Rated current	A	15.9
	COP	W/W	3.37
	HSPF4/HSPF2-4		11.5
	HSPF5/HSPF2-5		10
Indoor fan motor		Qty	1
		Input	250
		RLA	1.6
Indoor air flow (Turbo/Hi/Med/Lo) (No duct)		CFM	-/1,839/1,551/1,195
ESP (range)		In.wg.	0-0.64
Indoor noise level (Hi/Med/Lo)		dB(A)	45.5/42/39
Dehumidification		L/H	
Indoor unit	Dimensions (WxDxH)	inch	53.54x30.47x9.8
	Packing (WxDxH)	inch	47.24x34.41x11.81
	Net/Gross weight	lbs	106.48/122.36
Drainage water pipe diameter		inch	1"
Refrigerant piping (Liquid side/Gas side)		inch	3/8"/5/8"
Design pressure		PSIG	550/340
Controller			
Room temperature	Cooling	F	62~90
	Heating	F	32~86

Outdoor Model			CH-36LCU/O
Power supply		V, Ph, Hz	208-230V, 1Ph, 60Hz
Min. circuit ampacity		A	35
Max. fuse		A	50
Compressor	Model		ATF310D43UMT
	Type		ROTARY
	Brand		GMCC
	Capacity	Btu/h	32,380
	Input	w	2,600
	Rated current (RLA)	A	22
	Refrigerant oil	oz	VG74 33.8
Outdoor fan motor	Qty		1
	Input	w	150
	RLA	A	1
	Speed	r/min	950
Outdoor air flow (Max)		CFM	2,530
Outdoor noise level (Max)		dB(A)	66
Throttle type			Capillary +EXV
Outdoor unit	Dimensions (WxDxH)	inch	37.24x16.14x31.89
	Packing (WxDxH)	inch	42.91x19.69x34.45
	Net/Gross weight	inch	148.59/160.94
Refrigerant	Type		R410A
	Precharge	ft	25
Additional charge for 1/4 inch liquid pipe		oz	
Additional charge for 3/8 inch liquid pipe		oz	0.32
Refrigerant piping	Liquid side/Gas side	inch	3/8"/5/8"
	Max. pipe length	ft	213
	Max. difference in level	ft	98
Ambient temperature	Cooling	F	5~122
	Heating	F	5~86

Unit: inch





**DETAIL A**  
**SCALE 1:1**

